



PERRY STUD WELDING

A Division of TFP Corporation – Est. 1928



CD STUD WELDING
EQUIPMENT
AND
ACCESSORIES
CATALOG



1-800-727-7883

TOLL FREE

www.weldstud.com

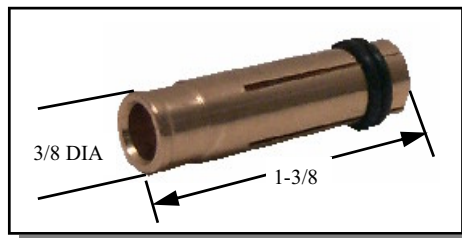
Sales@weldstud.com

2821 Cole Court • Norcross • Georgia • 30071
(678) 728-0095 Phone • (678) 728-0098 FAX

CAPACITOR DISCHARGE ACCESSORIES

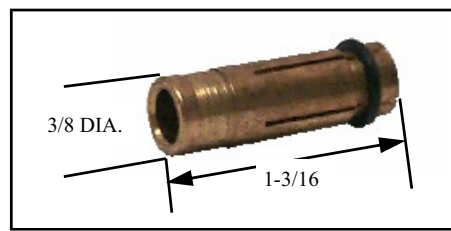
"B" COLLETS

STUD DIA	PART NO.
3 MM	CDB-003M
14 GA	CDB-008
12 GA & #4	CDB-010
1/8 GA & #5	CDB-012
10 GA & #6	CDB-013
4 MM	CDB-004M
#8	CDB-015
#10	CDB-018
5 MM	CDB-005M
6 MM	CDB-006M
.215	CDB-021
1/4	CDB-025
5/16	CDB-031
8 MM	CDB-008M
3/8	CDB-037
10 MM	CDB-010M



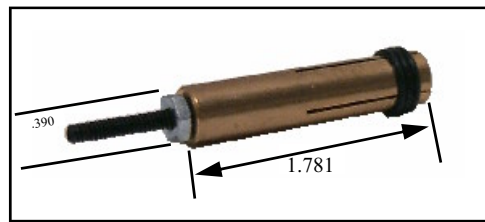
"B" COLLETS AGM STYLE

STUD DIA.	PART NO.
14 GA	CDB-008A
12 GA	CDB-010A
#6	CDB-013A
#8	CDB-015A
#10	CDB-018A
1/4	CDB-025A



SOYER COLLETS

STUD DIA.	PART NO.
#6	CDBS-013
4 MM	CDBS-004M
#8	CDBS-015
#10	CDBS-018
5 MM	CDBS-005M
6 MM	CDBS-006M
1/4	CDBS-025
5/16	CDBS-031

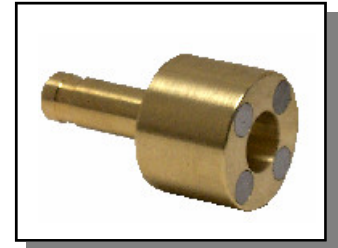


CAPACITOR DISCHARGE ACCESSORIES

ONE PIECE CONTACT/MAGNETIC CHUCK

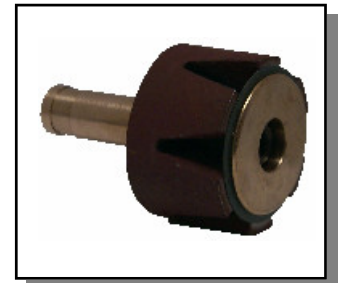
PART NO.

039-613



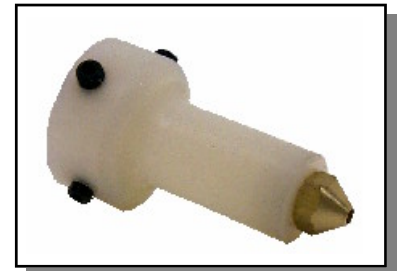
MAGNETIC CHUCK

PART NO.	DESCRIPTION
035-301	COMPLETE ASSY
017-633	MAGNET ONLY
029-615	CONDUCTOR PLATE
039-609	INSUL. TUBE
039-610	INSUL. DISC
SCREW	10-32 X 7/8



“B” COLLETS PROTECTOR

STUD SIZE	PART NO.
14 GA X 12 GA	028-837
10 GA	028-838
BODY ONLY	028-836
12 GA INSERT	028-834
10 GA INSERT	028-835



“B” STOP

STUD LENGTH	STOP LENGTH	PART NO.
1/4	1-1/4	033-781
3/8	1-1/8	033-782
1/2	1”	033-783
5/8	7/8	033-784
3/4	3/4	033-785
7/8	5/8	033-775
1”	1/2	033-776
1-1/8	3/8	033-777
1-1/4	1/4	033-778
1-3/8 (BUTTON STOP)	1/8	033-779
UNIVERSAL		033-780



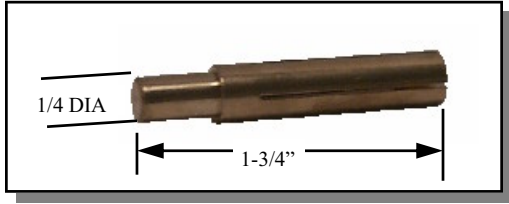
SHORT BUTTON STOP



UNIVERSAL “B” STOP

CAPACITOR DISCHARGE ACCESSORIES

COLLETS INSERTS FOR WELD STUDS



STUD DIA. X DEPTH	PART NO.
#4 X 1/4	CI-010-025
#4 X 3/8	CI-010-037
#4 X 1/2	CI-010-050
#4 X 1"	CI-010-100
#6X 1/4	CI-013-025
#6 X 3/8	CI-013-037
#6 X 1/2	CI-013-050
#6 X 5/8	CI-013-062
#6 X 3/4	CI-013-075
#6X 1"	CI-013-100
10GA X 1/2	CI-014-050
10GA X 3/4	CI-014-075
10GA X 1	CI-014-100
#8X 1/4	CI-015-025
#8 X 3/8	CI-015-037
#8 X 1/2	CI-015-050
#8 X 5/8	CI-015-062
#8 X 3/4	CI-015-075
#8X 1"	CI-015-100
#10 X 1/4	CI-018-025
#10 X 3/8	CI-018-037
#10 X 1/2	CI-018-050
#10 X 5/8	CI-018-062
#10 X 3/4	CI-018-075
#10X 1"	CI-018-100
1/4 X 1/4	CI-025-025
1/4 X 3/8	CI-025-037
1/4 X 1/2	CI-025-050
1/4 X 5/8	CI-025-062
1/4 X 3/4	CI-025-075
1/4 X 1"	CI-025-100
5/16 X 3/8	CI-031-037
5/16 X 1/2	CI-031-050
5/16 X 5/8	CI-031-062
5/16 X 3/4	CI-031-075
5/16 X 1"	CI-031-100
3/8 X 1/2	CI-037-050
3/8 X 3/4	CI-037-075
3/8 X 1"	CI-037-100

COLLETS INSERTS FOR WELD PINS



STUD DIA. X DEPTH	PART NO.
12GA X 1/2	CIP-010-050
12GA X 3/4	CIP-010-075
12GA X 1"	CIP-010-100
10GA X 1/2	CIP-014-050
10GA X 3/4	CIP-014-075
10GA X 1"	CIP-014-100

STANDARD SPARK SHIELD



STUD RANGE	PART NO.
14 GA - #6	033-764
#8 - 3/8	033-765

VENTED SPARK SHIELD



STUD RANGE	PART NO.
14 GA - 10 GA	033-769
#6 - 3/8	033-769L

TEMPLATE TUBE ADAPTOR



TEMPLATE I.D.	PART NO.
1" DIA.	039-839
1-1/4" DIA.	039-840

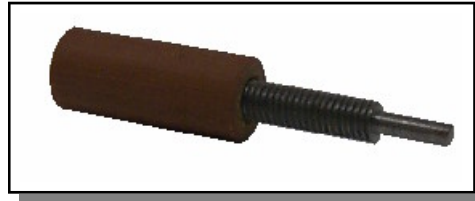
NELSON & KSM COLLETS

NELSON STYLE COLLETS



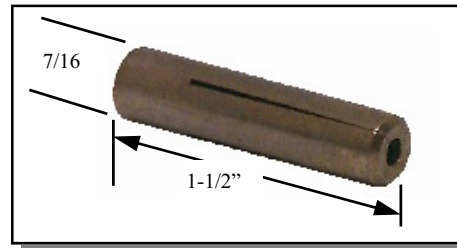
STUD SIZE	PART NO.	NELSON #
#6	CDBN-013	500-001-356
#8	CDBN-015	500-001-357
#10	CDBN-018	500-001-366
1/4	CDBN-025	500-001-359
5/16	CDBN-031	500-001-360
4 MM	CDBN-004M	500-001-361
6 MM	CDBN-006M	500-001-362
12 GA	CDBN-010	500-001-363

NELSON ADJ. STOPS FOR ABOVE



STUD LENGTH	PART NO.
1/4 TO 5/8	500-017-017
3/4 TO 1-1/8	500-017-018
1-1/4 TO 1-5/8	500-017-019
1-3/4 TO 2-1/8	500-017-020
INSULATOR ONLY	500-017-025

KSM / ERICO AIR COLLET



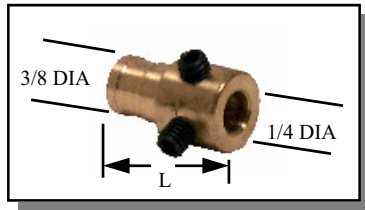
BOTTOM LOAD

RAM FEED

STUD DIA	PART NO.	STUD DIA	PART NO.
#4 (.112)	016-412	#4 (.112)	025-016
#6 (.138)	016-415	#6 (.138)	025-017
#8 (.164)	016-416	#8 (.164)	025-018
#10 (.189)	004-684	#10 (.189)	025-019
1/4 (.250)	016-418	1/4 (.250)	025-020

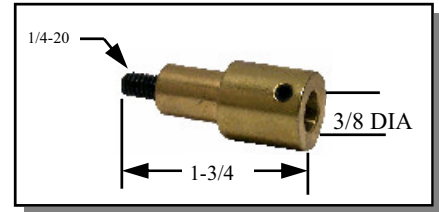
NON-STOCK ITEM / ALLOW 2 WEEKS FOR DELIVERY

B-CI ADAPTOR



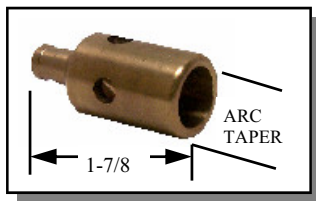
PART NO.
044-082 7/8 LONG
033-746 1-9/16 LONG

K-B ADAPTORS



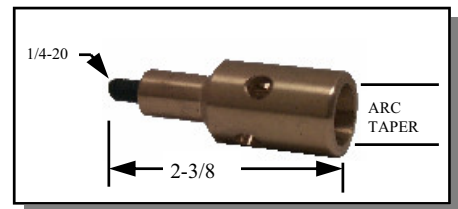
PART NO.
039-464

B-N ADAPTOR



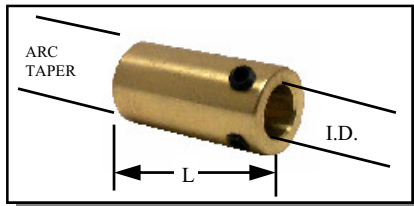
PART NO.
039-468

K-N ADAPTORS



PART NO.
033-750

ADAPTORS



PART NO.	I.D.
044-083 N-B	3/8 ID
044-084 N-CI	1/4 ID

MISCELLANEOUS ADAPTORS

PART NO.	DESCRIPTION
MT-0008	TEMPLATE TUBE 1/4-1/2 ARC STUDS
MT-0012	TEMPLATE TUBE 5/8-3/4 ARC STUDS
033-505L	L-TEC CHUCK ADAPTOR
033-749	K-CI ADAPTORS
751-458-049	NS-30 CHUCK ADAPTORS

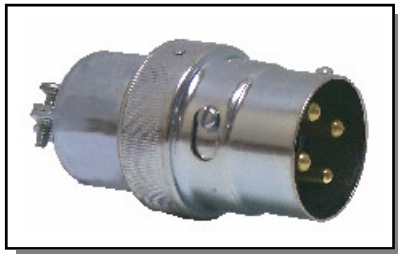
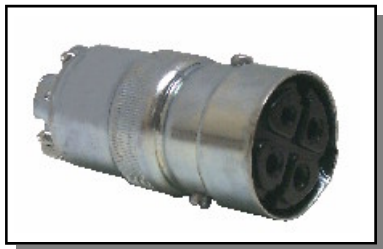
THREADED TAPERED ADAPTORS



PART NO.
MT-0003

CONTROL CABLE CONNECTORS

CONTROL CABLE CONNECTOR



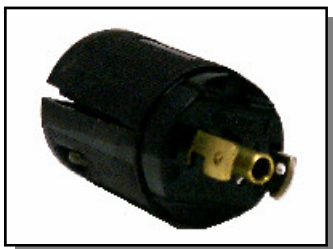
PART NO.

107-0014
107-0015
107-0001

DESCRIPTION

MALE 4 POLE CONNECTOR
FEMALE 4 POLE CONNECTOR
PANEL MOUNT CONNECTOR

HUBBELL STYLE CONNECTOR



NELSON 2-WIRE (M)

PANEL MOUNT

PROWELD HUBBELL (M)

PART NO.

107-0016
107-0017
107-0018
107-0019
107-0020
107-0030
107-0032
107-0031

DESCRIPTION

NELSON 2-WIRE (M)
NELSON 2-WIRE (F)
NELSON 2-WIRE (PANEL MOUNT)
(M) RUBBER COVER
(F) RUBBER COVER
PROWELD HUBBELL (M)
PROWELD HUBBELL (F)
PROWELD HUBBELL (PANEL MOUNT)

PANEL MOUNT CAMLOK CONNECTORS



PART NO.
107-0003
107-0002

DESCRIPTION
MALE PANEL MOUNT
FEMALE PANEL MOUNT

WELD CABLE LUGS



PART NO.
123-0003
123-0001
123-0006
123-0002
123-0008
123-0009
123-0013
123-0010

DESCRIPTION
#4 W/#10 HOLE
#1 W/#10 HOLE
#1 W/1/4 HOLE
#1 W/3/8 HOLE
1/O W/3/8 HOLE
1/O W/1/2/ HOLE
4/O W/3/8 HOLE
4/O W/1/2/ HOLE

ACCESSORIES

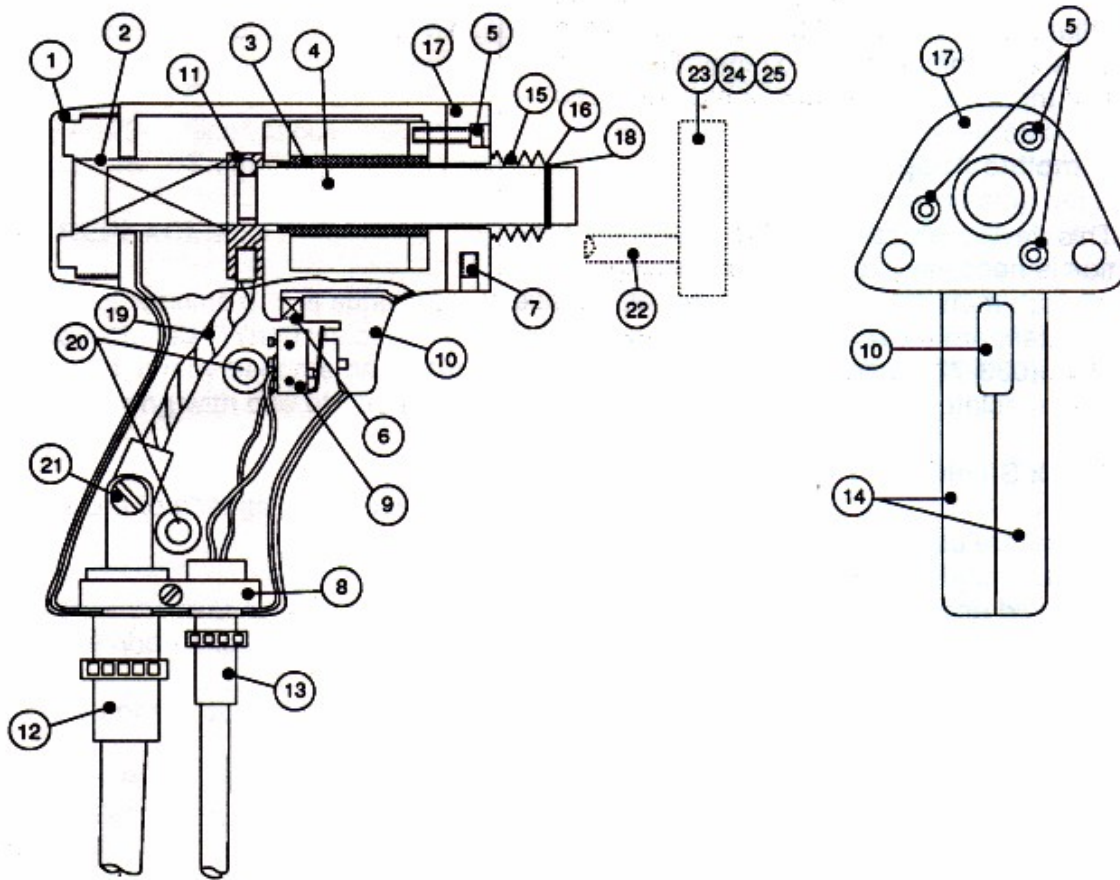


PART NO.
102-0041
102-0042

DESCRIPTION
ALLEN WRENCH SET
CHUCK EJECTOR KEY

LIGHT DUTY CD WELDING GUN

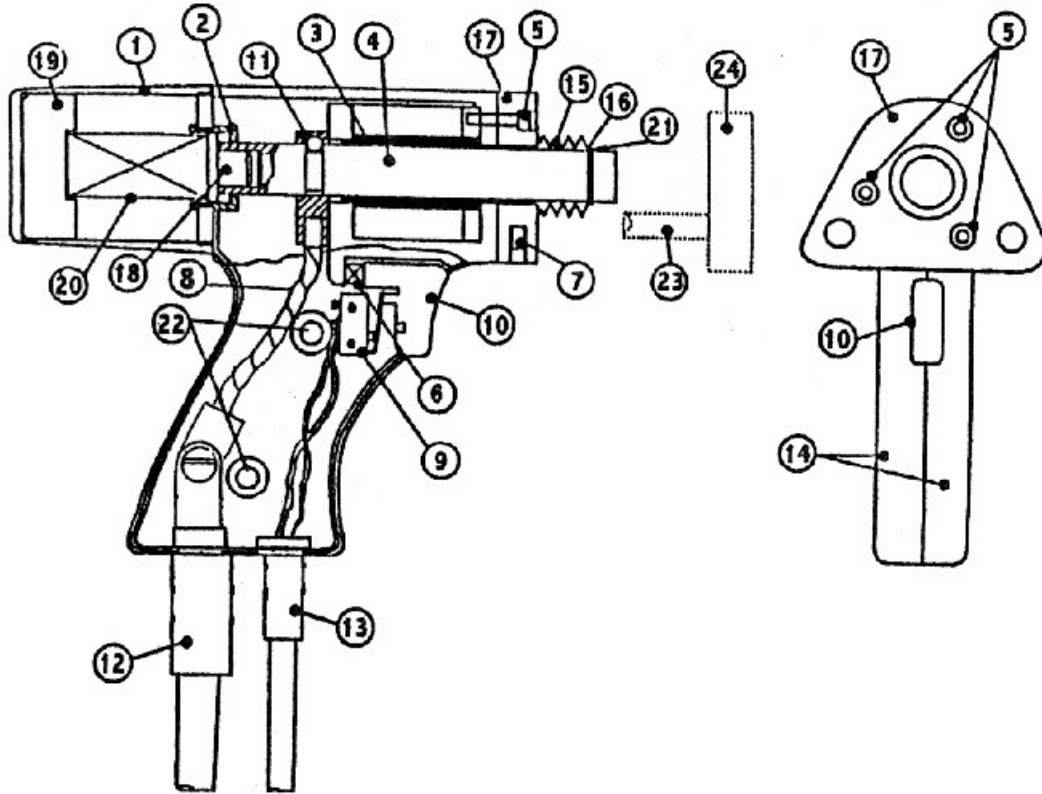
PART # 300-0100



ITEM	DESCRIPTION	PART NO.	ITEM	DESCRIPTION	PART NO.
1	REAR CAP	033-384	13	CONTROL CABLE 25'	033-658-25
2	MAIN SPRING SILVER	001-800		STRAIN RELIEF BOOT	001-181
	BLACK SPRING	001-801	14	GUN BODY ASSY	033-881
	RED SPRING	001-802	15	SHAFT BELLOWS	033-445
	COPPER SPRING	033-387	16	BOOT RETAINING RING	033-447
3	SHAFT BEARING	033-610	17	FACE PLATE ASSY	033-665
4	GUN SHAFT	033-799	18	SHAFT BOOT SNAP RING	033-446
5	8-32 X 3/4 CAP SCREW	033-016	19	WELD PIGTAIL ASSY	033-608
6	TRIGGER SPRING	033-382	20	10-32 X 3/4 PAN HEAD SCREW	018-375
7	10-32 X 3/16 SET SCREW	049-995	21	10-32 X 1/2 PAN HEAD SCREW	016-876
8	CABLE CLAMP	033-383	22	5/16 X 7" LEG ASSY	033-757
9	TRIGGER SWITCH	033-404		5/16 X 12" LEG ASSY	033-757
10	TRIGGER BUTTON	033-381	23	FOOTPIECE MED. CLOSED	028-833
11	SHAFT BLOCK	036-496			
12	#4 WELD CABLE ASSY (25FT)	033-662-25			

PRECISION LIGHT DUTY CD WELDING GUN

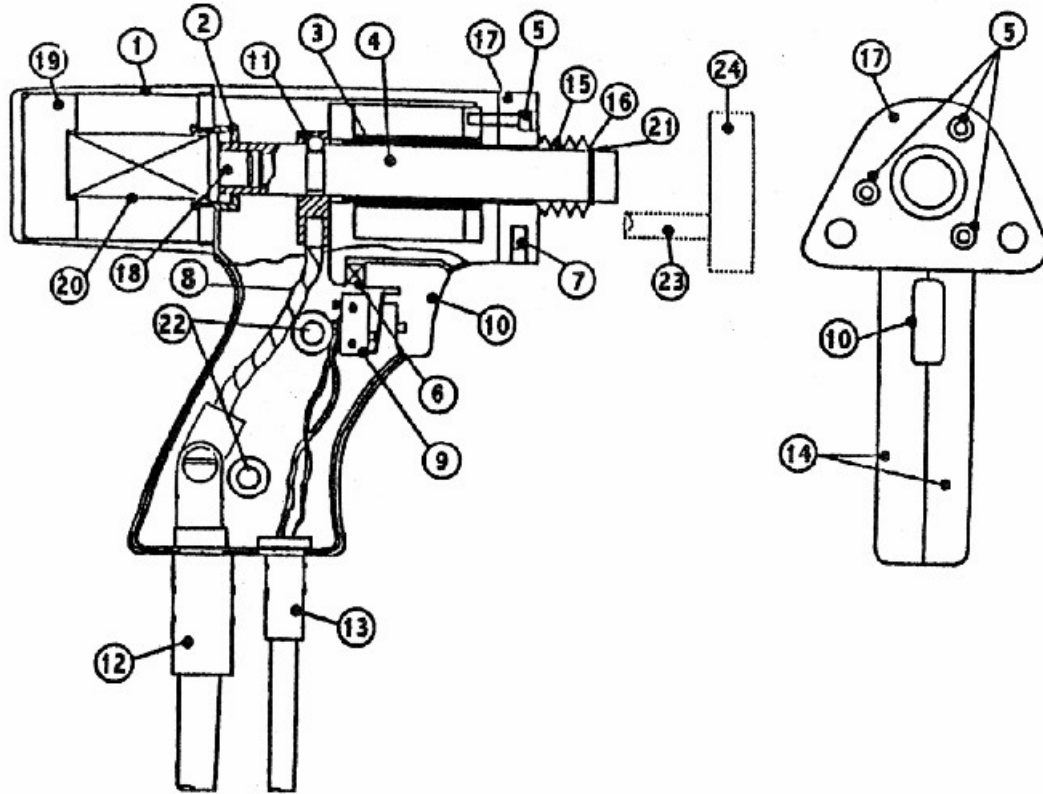
PART # 300-0102



ITEM	DESCRIPTION	PART NO.	ITEM	DESCRIPTION	PART NO.
1	REAR CAP MOLDED	036-473SW	13	CONTROL CABLE 25'	033-658SW
2	BUSHING	033-467SW	14	GUN BODY (2 PCS MACHINED)	033-465SW
3	BEARING ASSEMBLY	033-610SW	15	SHAFT BOOT	033-445
4	SHAFT TUBE	033-799	16	SHAFT BOOT RETAINING RING	033-447
5	#8-32 X 3/4" HEAD CAP SCREW	033-016	17	FACEPLATE	033-665
6	TRIGGER SPRING	033-382	18	SHAFT PLUG	033-468
7	#10-32 X 3/16" HEAD STE SCREW	049-995	19	INSERT-REAR CAP SPACER	033-469
8	WELD PIGTAIL	033-608	20	MAIN SPRING SILVER	001-800
9	TRIGGER SWITCH	033-404	21	SHAFT BOOT SNAP RING	033-446
10	TRIGGER BUTTON MOLDED	033-381SW	22	#10-32 X 3/4" SCREW	018-375
11	SHAFT BLOCK	036-496SW	23	7" X 5/16 STD. ADJ. LEG	033-757
12	WELD CABLES 25' #4	033-662-25	24	FOOTPIECE MED. CLOSED	028-833

PRECISION HEAVY DUTY CD WELDING GUN

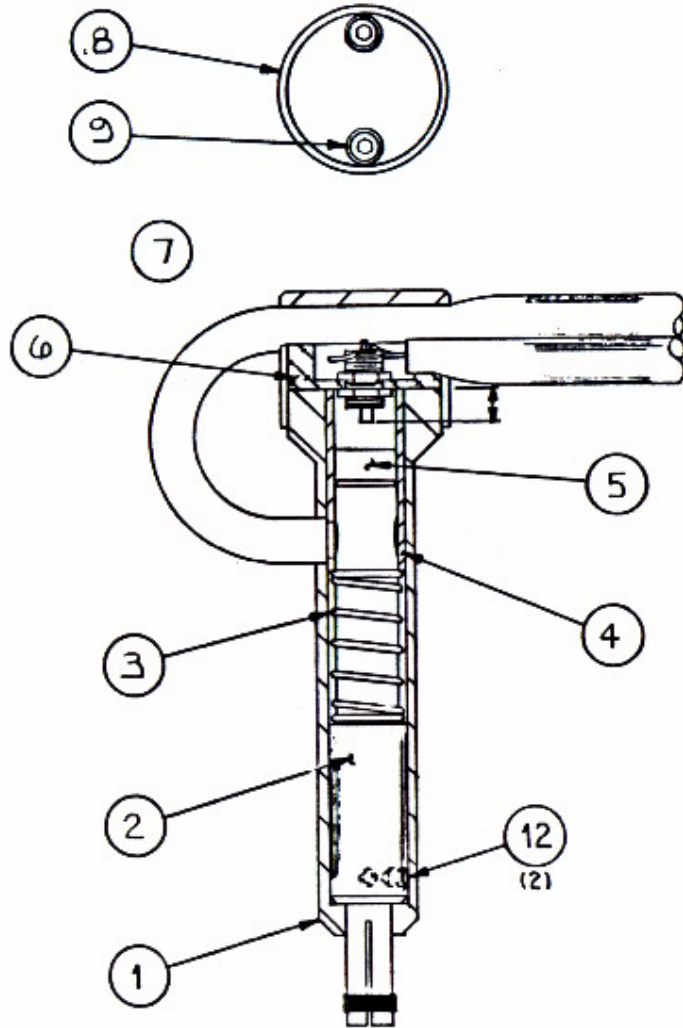
PART # 300-0202



ITEM	DESCRIPTION	PART NO.	ITEM	DESCRIPTION	PART NO.
1	REAR CAP MOLDED	036-473SW	13	CONTROL CABLE 25'	033-658SW
2	BUSHING	033-467SW	14	GUN BODY (2 PCS MACHINED)	033-465SW
3	BEARING ASSEMBLY	033-610SW	15	SHAFT BOOT	033-445
4	SHAFT TUBE	033-799	16	SHAFT BOOT RETAINING RING	033-447
5	#8-32 X 3/4" HEAD CAP SCREW	033-016	17	FACEPLATE	033-665
6	TRIGGER SPRING	033-382	18	SHAFT PLUG	033-468
7	#10-32 X 3/16" HEAD STE SCREW	049-995	19	INSERT-REAR CAP SPACER	033-469
8	HEAVY DUTY PIGTAIL	033-608SW	20	MAIN SPRING BLACK	001-801
9	TRIGGER SWITCH	033-404	21	SHAFT BOOT SNAP RING	033-446
10	TRIGGER BUTTON MOLDED	033-381SW	22	#10-32 X 3/4" SCREW	018-375
11	SHAFT BLOCK	037-129SW	23	7" X 5/16 STD. ADJ. LEG	033-757
12	WELD CABLES 25' #2	033-662-25H	24	FOOTPIECE MED. CLOSED	028-833

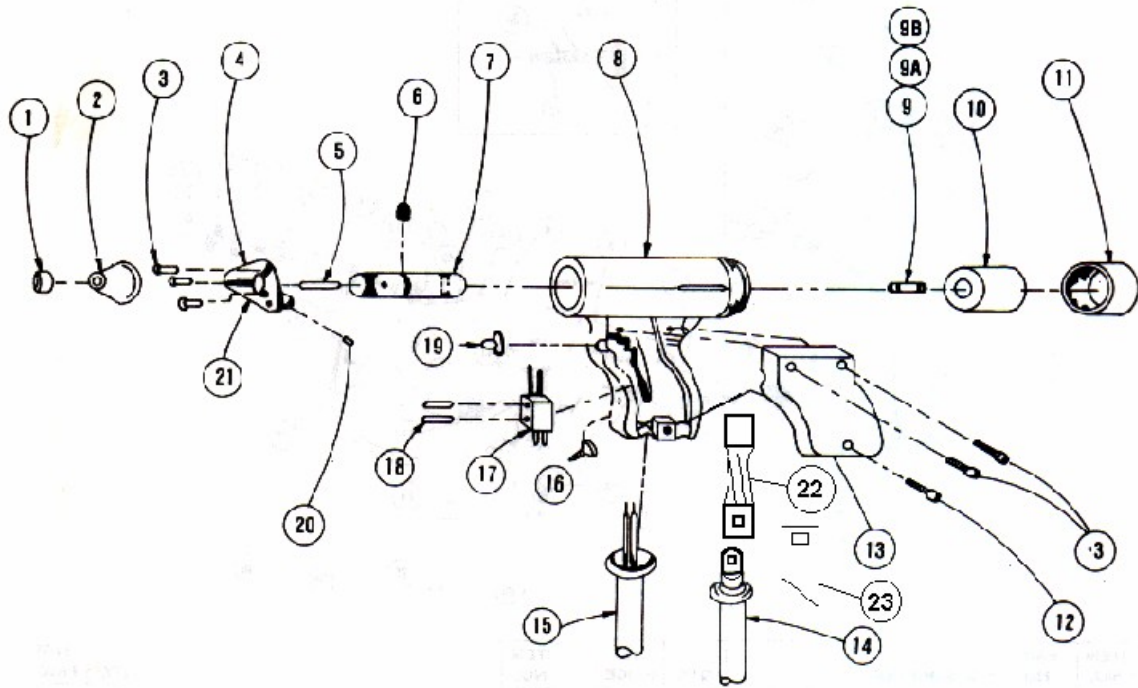
SLIM-LINE CD WELDING GUN

PART # 300-0400



ITEM	DESCRIPTION	PART NO.
1	GUN BODY	033-457
2	GUN SHAFT	033-458
3	MAIN SPRING	033-464
4	SPACER	048-312
5	NYLON SLUG	048-314
6	SWITCH PLATE	048-313
7	SWITCH ASSY	031-196
8	END CAP	033-463
9	10-32 X 1" SCREW	015-680
10	CONTROL CABLE ASSY	036-900
11	WELD CABLE ASSY	033-663
12	10-32 X 3/8 SET SCREW (2)	034-477

C-2 BANTAM CD WELDING GUN PART # 300-0301



ITEM	DESCRIPTION	PART NO.	ITEM	DESCRIPTION	PART NO.
1	BELLOWS RETAINER	001-816	12	10-24 X 3/4 SOCKET CAP SCREW	
2	BELLOWS	003-499	13	HANDLE COVER	016-384
3	10-24 X 1/2 SOCKET CAP SCREW		14	WELD CABLE ASSY (25FT)	015-793-25
4	FACE PLATE ASSY (TWIN LEG)	003-500	15	CONTROL CABLE ASSY (25FT)	015-809-25
5	5/16-18 X 1-3/4 SET SCREW	016-405	16	HANDLE POST NUT	002-906
7	SPINDLE ASSY (TAPERED CHUCK)	015-805	17	TRIGGER SWITCH	015-807
8	GUN BODY	016-383	18	5-40 X 5/8 PAN HEAD SCREW	
9	MAIN SPRING SILVER	001-800	19	TRIGGER BUTTON	006-586
9A	MAIN SPRING BLACK	001-801	20	5/16-24 X 5/16 SET SCREW	
9B	MAIN SPRING RED	001-802	21	FACE PLATE BUSHING	003-501
10	SPRING PLUG	022-357	22	INTERNAL WELD CABLE	602-056B
11	BACK CAP	015-803	23	CABLE MOUNTING LUG	029-039



PERRY STUD WELDING

A Division of TFP Corporation – Est. 1928

Contact Address and Phone:

Perry Stud Welding
2821 Cole Court
Norcross GA 30071 USA

678-728-0095 Phone
800-727-7883 TOLL FREE
678-728-0098 Fax

Web Details:

Perry Stud Welding
[HTTP://www.weldstud.com/](http://www.weldstud.com/)
Sales@weldstud.com

Payment Remit To Address:

Perry Stud Welding
460 Lake Road
Medina, Ohio 44256



MADE IN AMERICA